



LS10 LASERSCORE®

**Installation overview
and components**

**Worldwide only 10m laser target
with ISSF approval phase 1, 2 and 3**

**Basic configuration of the target
for airguns and small bore rifles**

SIUS AG

Im Langhag 1 | CH-8307 Effretikon | Switzerland
Phone +41 52 354 60 60
www.sius.com | info@sius.com





like this...

...or like that

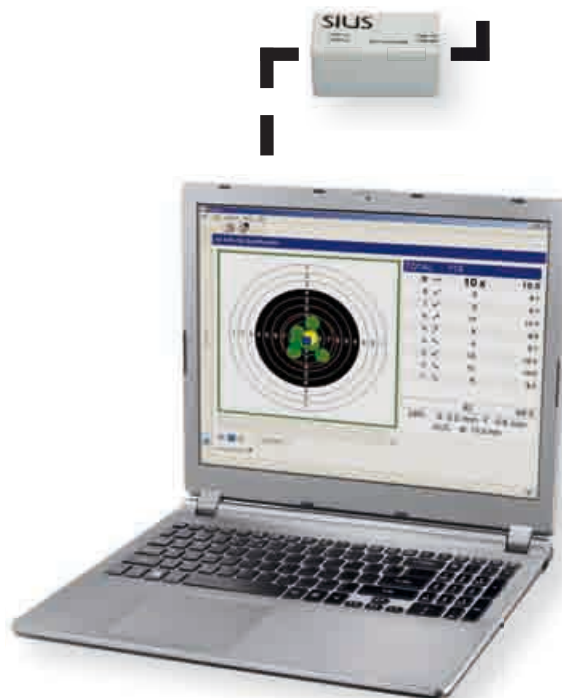
Standard configuration

Target LS10 with basic equipment SA951.

Option

Target LS10 with Windows based PC/Laptop (Windows 7 / 8 / 10), USB-LON-Dongle and SIUSLANE software.

> see brochure *SIUSLANE*

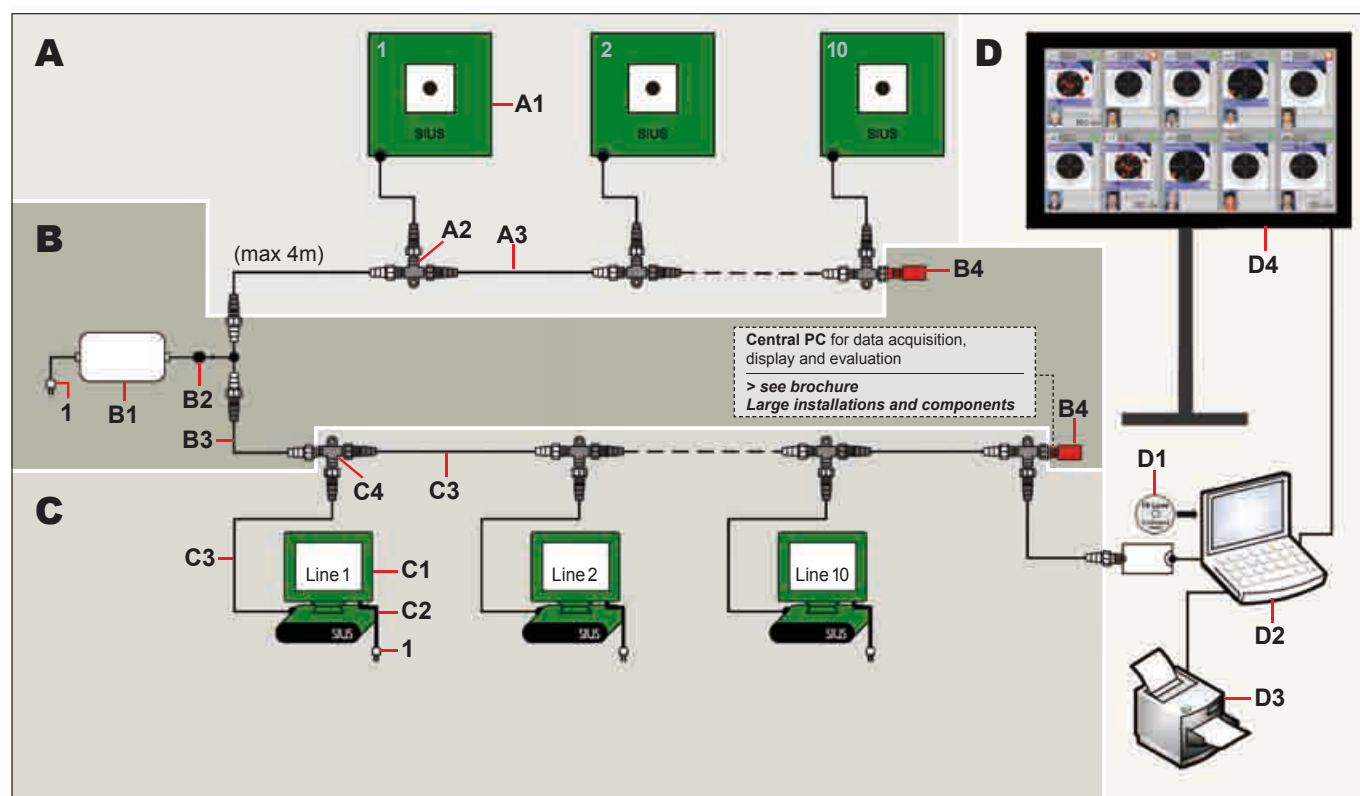


Air rifle/air pistol installation 10m and small bore rifle installation 50m

Installation overview for 1–10 lanes

The installation is divided into 3 article groups: article group target line (A), article group for cables and power supply (B) and article group firing line (C). The article group for cables and power supply (B) is designed for 10 lanes maximum. The article groups target line (A) and firing line (C) are needed 1x per lane. The «10 Lane Command Desk» (D) enables the central printing and the display of the connected lanes for the spectators (see SIUS website > Products > «10 Lane Command Desk»).

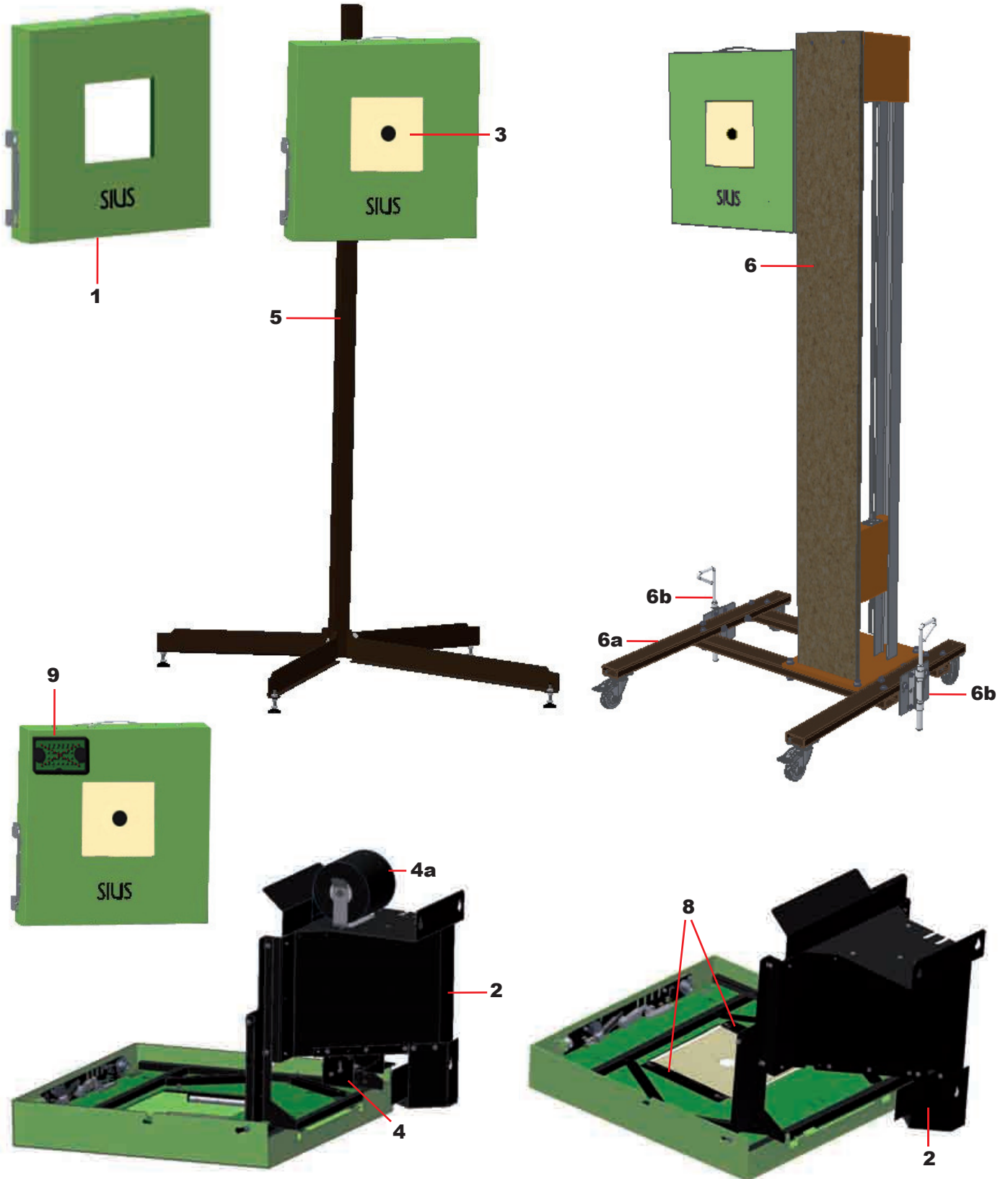
In addition, country-specific power supply cables are required (device to country specific plug = pos. 1).



Pos.	Article no.	Pcs.	Description
A Article group target line			
A1	LS10	1	Target 10m resp. 50, incl. LED Illumination
A2	KL001-T	1	T-Adapter fem/fem/male LTW IP67
A3	KL001-2.0	1	Cable LTW male-fem 2.0m
B Article group cables and power supply			
B1	NT211V0	1	Power supply for 10 lines 225W with LTW 230V
B2	KL013	1	Y power cable for NT211
B3	KL001-20.0	1	Cable LTW male-fem 20.0m (for 10m)
	KL001-65.0	1	Cable LTW male-fem 65.0m (for 50m)
B4	KL001-R	2	Terminating resistor, red, male LTW IP67
C Article group firing line			
C1	M951	1	Monitor TFT 10.4" (26cm) Touchscreen, incl. power supply AAG233, USB connection cable for touchscreen and protection cover M951AN001.
	AA253-1.5	1	Connection cable USB 2.0, 1.5m (option if monitor is installed separately from CU951)
	KV012-1.5-MM	1	Cable extension VGA, 2.0m (option if monitor is installed separately from CU951)
C2	CU951-CLUB	1	Control unit for clubs, schools etc. (ISSF approval phase 1 and 2)
	CU951-ISSF	1	Control unit with software for ISSF competitions (ISSF approval phase 1, 2 and 3)
C3	KL001-2.0	1	Cable LTW male-fem 2.0m
C4	KL001-T	1	T-Adapter fem/fem/male LTW IP67
D 10-Lane-Command-Desk (option)			
D1	TLCD	1	Software 10-Lane-Command-Desk incl. USB-LON-Dongle SNI210-TLCD (blue)
D2		1	Windows PC with up-to-date hardware (on request or provided directly by customer)
D3		1	Laserprinter (on request or provided by customer)
D4		1	Monitor for spectators > TV/beamer in any size (on request or provided directly by customer)
1			Country-specific power supply cable > AA1**

Target for air rifles / air pistols, LS10

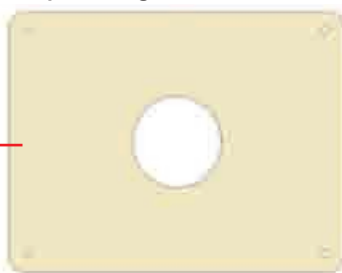
The target LS10 is designed for all airguns and small bore rifles (see page 6). The high definition infrared detection system guarantees the highest scoring precision.



Air rifle target front mask 10m



Air pistol target front mask 10m



3

Witness paper

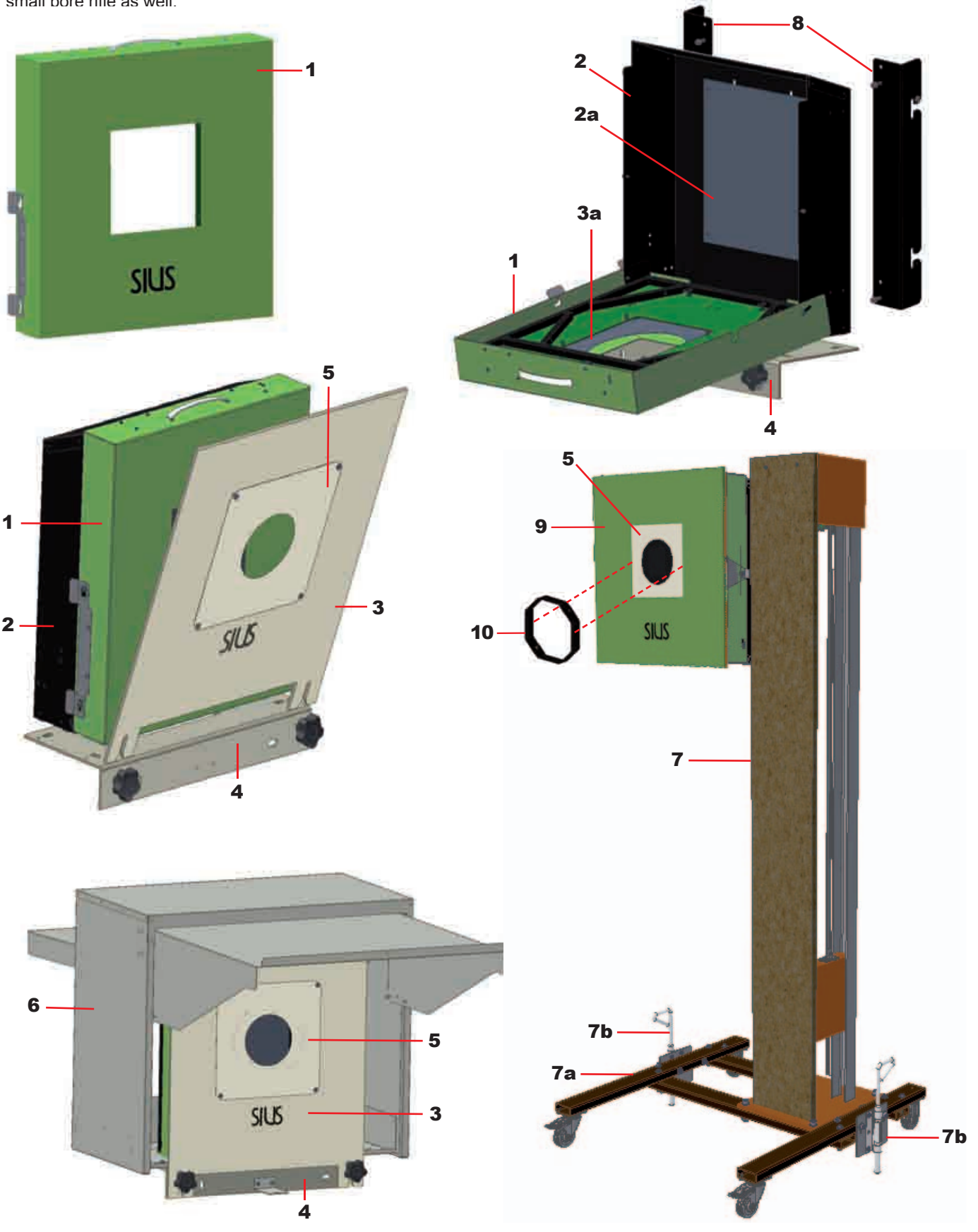


7

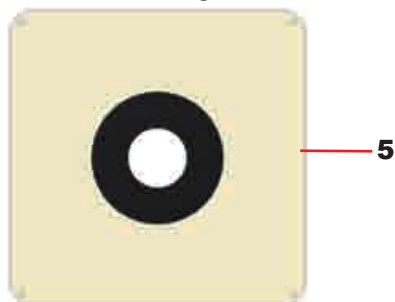
Pos.	Article no.	Description
Target LS10		
1	LS10G2V1	Complete target incl. reinforced front frame for airguns, incl. 2-row LED target illumination Size (WxHxD): 450x460x70mm, weight: 6.5 kg (without accessory), color: RAL6021 pale green Consumption: 12W, detection surface: 170x170mm.
Optional accessory and spare parts		
2	LS10G2AN002	Target holder for mounting incl. bullet trap for airguns Size (WxHxD): 482x450x246mm, weight: 4.8 kg (without target).
3	LS10A043 LS10A044	ISSF air rifle target front mask, bulls eye Ø 30.5mm. ISSF air pistol target front mask, bulls eye Ø 59.5mm.
4	LS10G2AN008	Shooting control device (option), ISSF standard Size (WxHxD): 190x85x70mm, weight: 1kg (without target).
4a	S20D001	Paper tape roll 35m, black, for ISSF competitions.
5	SHS08	Pedestal for LS10 and HS10, variable vertical adjustment > 3 positions. Permits free set-up of the target. The target holder LS10G2AN002 (2) is needed for mounting the target on the pedestal. Size (WxHxD): 775x1550x810mm, weight: 7,5kg (without target), center of target: 50cm/80cm/140cm.
6	ATE10G2V3	Automated target elevator for LS10. 3-position lifter for different shooter positions, integrated in LON-network, controlled by control unit / central PC. Mobile or fixed installation possible. Size (WxHxD): 330x1610x200mm, weight: 13kg (without target). Consumption: 20W à 24V.
6a	ATE10AN001	Caster for target elevator (option)
6b	ATE10AN002	Floor fixation, temporarily, for caster (option), set with 2 pieces
7	AZF046	Witness paper for replacement (option) > manual shot control (to be inserted into the provided slot in the bullet trap)
8	LS10G2AN007	Parallax panel (option), set with 2 pieces The use of the parallax panel ensures a parallax free shot evaluation even in case of excessive movements of the shooter (f.ex. change of position).
9	RGL02	Red/green lightsignal, magnetic (option)
	KI049	Connecting cable red/green lightsignal, length 2.2m
	KI050	Cable to dim red/green lightsignal, length 15cm
	Reference	Country-specific power supply cable > AA1**

Target for small bore rifles, LS10

A reinforced front frame for small bore rifle and an enhanced bullet trap makes it possible to use LS10 target for 50 meters small bore rifle as well.



Small bore rifle target front mask 50m



Pos.	Article no.	Description
Target LS10		
1	LS10G2V1	Complete target incl. reinforced front frame for airguns, incl. 2-row LED target illumination Size (WxHxD): 450x460x70mm, weight: 6.5 kg (without accessory), Consumption: 12W, detection surface: 170x170mm.
Optional accessory and spare parts		
2	LS10G2AN001	Target holder for mounting on mounting plate LS10AN008. The target holder allows to mount the target on the mounting plate. It serves also as backboard of the target and protects it (incl. rubber sheet LS10A042). Size (WxHxD): 445x465x140mm, weight: 5.2 kg (without target).
2a	LS10A042	Rubber sheet used for sun protection at the back and for blocking slivers from the bullet trap.
3	LS10AN007	Reinforced front frame for small bore rifles (incl. rubber membrane LS10A041). Size (WxHxD): 557x470x6mm, weight: 11.4 kg (without target).
3a	LS10A041	Rubber membrane used for sun protection in front and interfering shadows.
4	LS10AN008	Mounting plate – needed for mounting the target holder (2) and the reinforced target front frame (3). Size (WxHxD): 475x70x190mm, weight: 4.4kg (without target).
5	HS10A052	ISSF small bore rifle target front mask 50m, bulls eye Ø 112.4mm.
6	LS10AN010	Weather protection box Closable, guarantees highest protection from weather influences. Size (WxHxD): 650x635x382mm, weight: 16.5kg (without target).
7	ATE10G2V7	Automated target elevator for LS10. 3-position lifter for different shooter positions, integrated in LON-network, controlled by control unit / central PC. Mobile or fixed installation possible. Size (WxHxD): 330x1610x200mm, weight: 13kg (without target). Consumption: 20W à 24V.
7a	ATE10AN001	Caster for target elevator (option)
7b	ATE10AN002	Floor fixation, temporarily, for caster (option), set with 2 pieces
8	HS10AN008	Bullet catcher connection plate (option) – connection between target holder HS10AN001 and bullet catcher HS10AN003
9	ATE10D014	Reinforced front frame for small bore rifles (use on target lifter). Size (WxHxD): 470x458x5mm, color: RAL6021 pale green
10	HS10AN011	Shatter protection small bore (option), steel sheet, black
	Reference	Country-specific power supply cable > AA1**



SIUS worldwide

There are SIUS representatives all around the globe.

Find your local SIUS sales partner here:

www.sius.com > contact

